

RING T

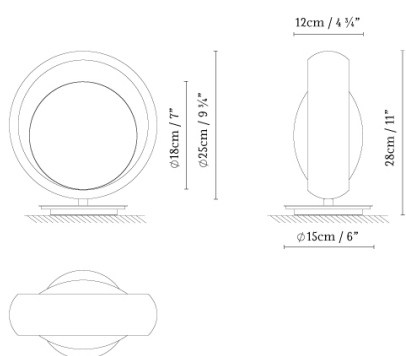
By ILMIODESIGN



Description:

The Ring collection is based on a 25 cm ring with a 18 cm glass diffuser, creating a space that gives the lamps a visually light look. The high diffusion capacity of the glass guarantees excellent light quality and greater visual comfort. Ring is available in different finishes, including white, black, and brass. The collection is available in table, floor, wall, and suspension versions.

RING T



B. u. Black (matte)

B. u. Brass (matte)

B. u. White (matte)

CODE	LAMP	LIGHT SOURCE	B	BULB
765000U	RING T BLACK	LED 2x6W (E12) 50-60Hz	F	
765001U	RING T BRASS	Fluo. max. 2x12W (E12) 50-60Hz	G	
765002U	RING T WHITE			

B. u. B. u. B. u. B. u. B. u. **B. u.** RING T

B. u. RING W

B. u. RING S

Collection:



Designer

Catalogos

grupoblux.com