

Features:

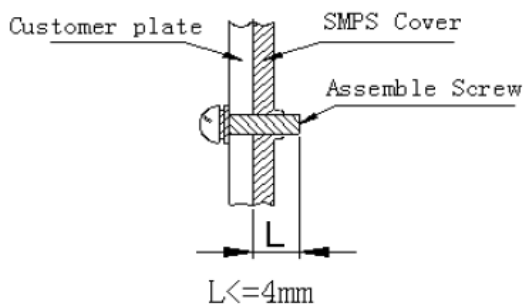
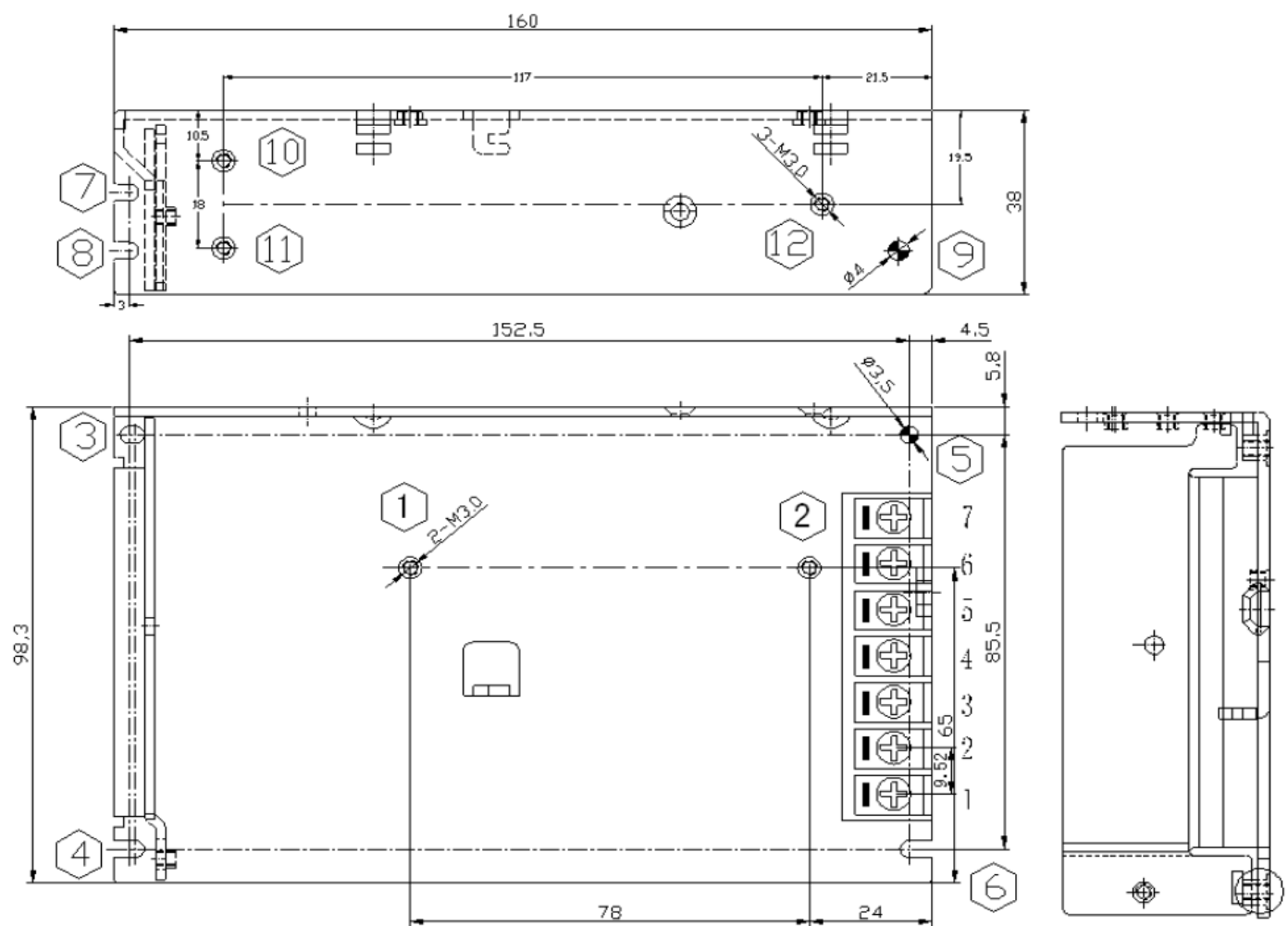
- AC input selectable by switch (115Vac/230Vac)
- High efficiency, long life and high reliability
- Output protections: OVP/OLP/SCP
- Wide operating ambient temp (-20°C~60°C)
- All using 105°C long life electrolytic capacitors.
- 100% full load burn-in test
- Suitable for critical applications
- 3 years warranty

SPECIFICATION

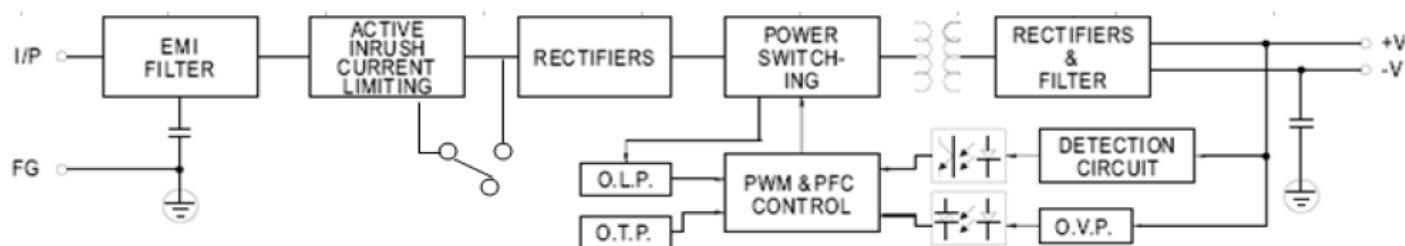
MODEL		ABS-100-5	ABS-100-12	ABS-100-24	ABS-100-48	
OUTPUT	DC Output	5V	12V	24V	48	
	Rated Current	16A	8.5A	4.5A	2.3A	
	Current Range	Note 1 0~16A	0~8.5A	0~4.5A	0~2.3A	
	Ripple and Noise	0~60°C	<100mV	<100mV	<100mV	<100mV
		Note 2 -20°C	<200mV	<200mV	<200mV	<200mV
	Voltage ADJ. Range	4.5V-5.5V	10.8V-13.2V	21.6V-26.4V	43.2~52.8V	
	Voltage Accuracy	±2.0%	±1.0%			
	Line Regulation	±0.5%				
	Load Regulation	±0.5%				
	Set-up Time	≤3S /230Vac input, Full load)				
	Hold up Time	≥20mS(230Vac input, Full load)				
	Temperature Coefficient	±0.03%/°C				
Overshoot and Undershoot	<5.0%					
INPUT	Voltage Range	90Vac~132Vac/176Vac~264Vac				
	Frequency Range	47Hz~63Hz				
	Efficiency (Typical)	≥80%	≥81%	≥85%	≥86%	
	AC Current (max.)	<2.5 A				
	Inrush Current (Typical)	< 50A@220Vac Cold start				
	Leakage Current	Input—output:<0.25mA		Input—PG:<3.5mA		
PROTECTION	Over Load	16.8~24A	8.925~12.75A	4.725~6.75A	2.415~3.45A	
	Over voltage	5.5~7.0V	13.2~16.8V	26.4~33.6V	52.8~67.2V	
		Protection type: Hiccup, Auto recovery				
Shorted Circuit	Long-term mode, auto recovery					
ENVIRONMENT	Operating amb. Temp. & Hum.	-20°C~60°C; 20%~90%RH No condensing				
	Storage Temp. & Hum.	-30°C~75°C; 10%~95%RH No condensing				
SAFETY & EMC Note 3	Safety Standards	UL60950-1 2 nd Ed; IEC 60950-1:2005(2 nd Ed) ;EN60950-1:2006				
	Withstand Voltage	Primary-Secondary:3.0KVac; ≤10mA .Primary-PG:1.5KVac; ≤10mA. Secondary-PG:0.5KVDC;≤10mA.				
	Isolation Resistance	≥100M ohms				
	EMC Emission	Compliance to EN55022 Class B				
	EMC Immunity	Compliance to EN61000-3-2, Class D				
OTHERS	MTBF (MIL-HDBK-217F)	More than 200,000Hrs (25°C, Full load)				
	Dimension (L*W*H)	160×99×38mm				
	Packing	20pcs/CNT, 13.6Kgs/CTN, 0.04cbm				
	Cooling method	Cooling by free air convection				
NOTE	<p>1. All parameters NOT specially mentioned are measured at rated input, rated load and 25°C of ambient temperature.</p> <p>2. Measured at 20MHz of bandwidth by using a 12" twisted pair-wire terminated with a 0.1 uF & 10uF parallel capacitor.</p> <p>3. The SPS is considered a component which will be installed into final equipment. The equipment must be re-confirmed that it still meets EMC directives.</p> <p>4. Powerld offer accessories for Din-35 rail bar. Please contact sales staff for details.</p>					

■ Mechanical Specification

Unit: mm



■ Block Diagram



■ Derating Curve