

**Description:**

Dual-light wall lamp (2L) with an ambient indirect light (touch-dim) and an adjustable direct light (touch on-off). Also available with a single direct source of light (1L). The light source is a high-luminance LED, which features a glass lens to focus the light and improve performance. Available in two finishes: textured white matte outer finish with a satin brass interior, and textured black matte exterior with satin copper interior.

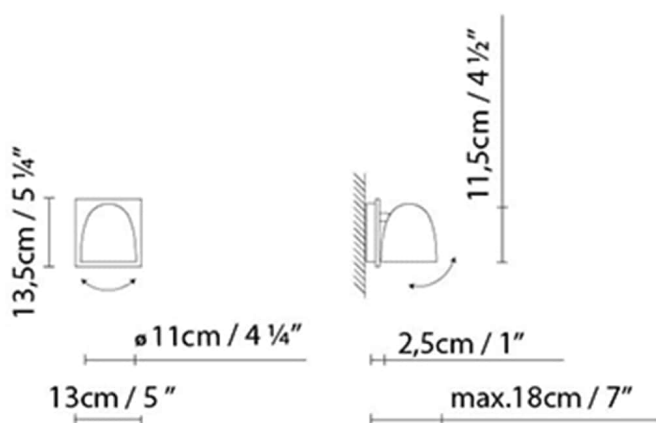
Materials:

Copper.
Brass.

Certifications:

IP20
110-230V

SPEERS W1L

**Light source:**

LED A+ LED 9W 1100lm 500mA 2700K CRI80
110-230V

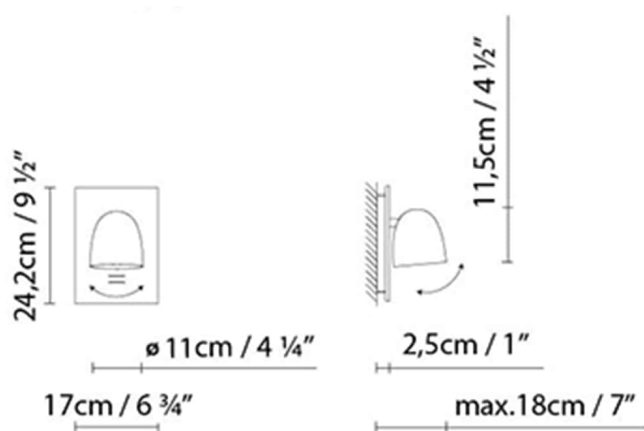
Weight :

Net kg.:
Gross kg:

Packaging:

N. packages:
Volume m3:
Dimensions cm:

SPEERS W2L

**Light source:**

LED ▶ A+ LED 9W 1100lm 500mA 2700K CRI80
230V + LED 9,8W 12V 920lm 3000K
CRI80 DIM 230V

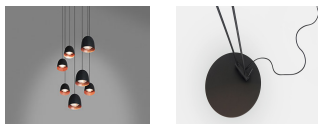
Weight :

Net kg.: 2
Gross kg: 2,6

Packaging:

N. packages: 1
Volume m3: 0,015
Dimensions cm: 35x22x18,5

Collection



Designer
3D
Technical drawing
Fotometría
Instrucciones de montaje