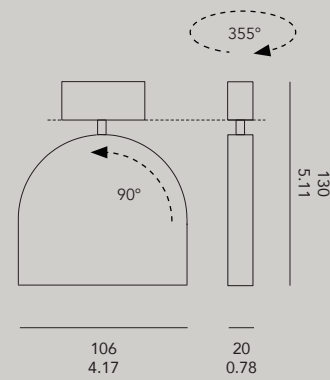


# °u-disk NEW

material aluminium coated / PMMA  
 weight 300gr / 0.66lb  
 voltage 24Vdc  
 cri >90  
 wattage 13W  
 dali supported DT6  
 rotation 355°  
 inclination 90°  
 certifications CE, RoHS  
 classifications IP20



## UDISK.L.B.O.V.C

Led	<b>WW</b>	2700K   13W		
	<b>WW2</b>	3000K   13W		
	<b>NW2</b>	4000K   13W		
Body color	<b>BK</b>	black matt ral 9011		
	<b>WH</b>	white matt ral 9016		
	<b>AL</b>	aluminium color ral 9006 (on request only)		
Optics	<b>10</b>	optic 10°	WW	855 lm / 21400 cd
			WW2	940 lm / 23700 cd
			NW2	960 lm / 24750 cd
	<b>25</b>	optic 25°	WW	680 lm / 2580 cd
			WW2	720 lm / 2700 cd
			NW2	755 lm / 2835 cd
	<b>35</b>	optic 35°	WW	528 lm / 1540 cd
			WW2	690 lm / 1600 cd
			NW2	725 lm / 1680 cd
Version	<b>T</b>	track mount		
	<b>BI</b>	built in monopoint (plasterkit required)		
Control	<b>IC</b>	individually controlled fixture by DALI DT6		
	<b>OC</b>	track overall control. dimming possible with 0/1-10V, potentiometer or DALI, on 2 circuits (see pag. 76)		
Accessories	<b>PL.70</b>	monopoint plasterkit 70 mm		