

# MIAMI

TYPE:

PROJECT NAME:

design Giordana Arcesilai 2007

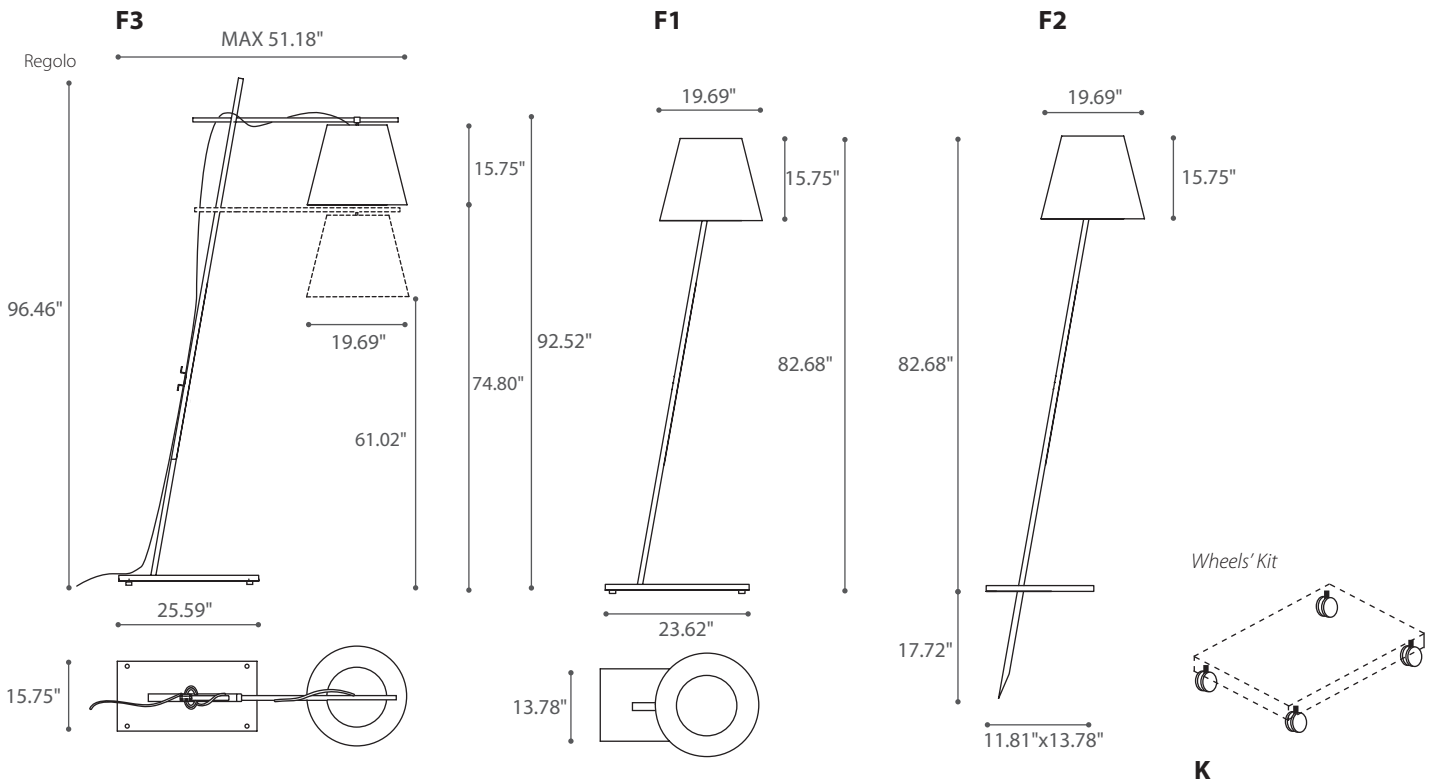
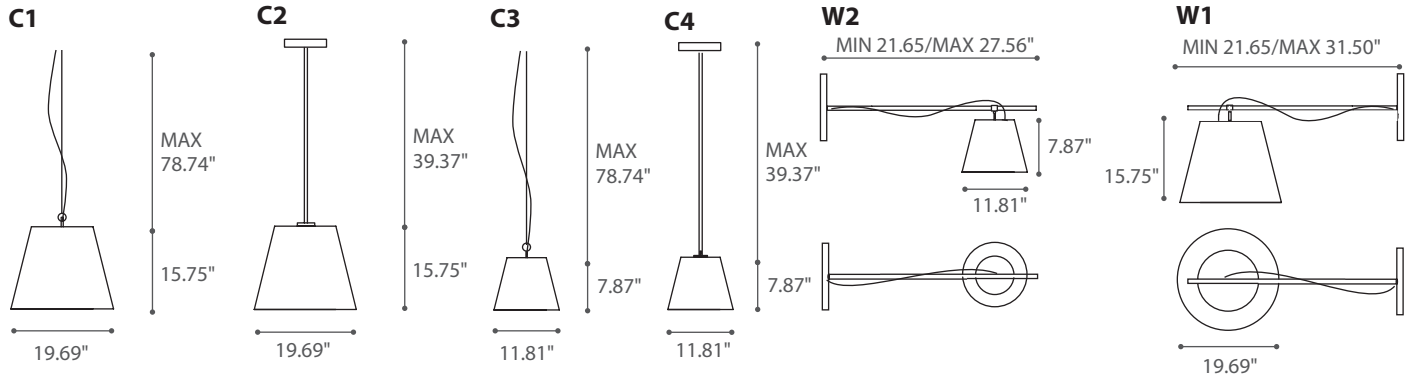
Fiberglass shader lamp collection, which is enriched with a new surfacial structure

**Finishes:** brass

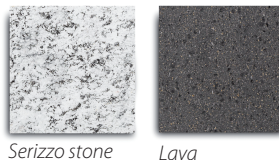
Bases in "Serizzo" stone and lava/ Warm white fiberglass shader

**Materials:** brass or inox steel

**Light:** LED E26



Base's materials



LED E26 110/120V



SPECIFICATION SHEET

**ANTONANGELI**  
LIGHTING

A SCANGIFT® BRAND

www.ANTONANGELILIGHTING.com





SPECIFICATION SHEET