

# IL FANALE

rev. 25-07-2016



## RILEGATO - 476.00.80

The lamps are modern and suitable for any international context. These unique and exclusive products are entirely handmade with beveled glass and international brass bases and are available in chrome, gold, and burnished finishes.

## CHARACTERISTICS

TIPOLOGY	Suspension
CATEGORY	Indoor lamps

## FINISHES

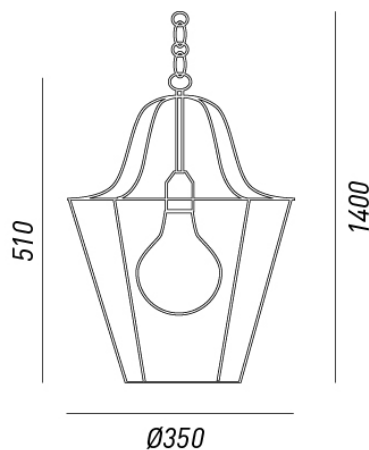
FRAME	Burnished Brass
SHADE	Burnished Brass
BASE	Burnished Brass
OPTICS	Transparent Glass

## ELETRICAL CHARACTERISTICS

SOCKET	E27
POWER	1 $\bar{A}$ — Max 77W
ENERGY CLASS	
INPUT	240V
POWER SUPPLY	No

## CUSTOMIZATIONS

COLOUR	Yes
STRUCTURE	Yes



## Il Fanale Group

Via Bredariol Olivo 15, San Biagio Di Callalta - Treviso - Italy

Telefono +39 0422 895200 - fax +39 0422 895110 - [www.ilfanale.com](http://www.ilfanale.com) - [info@ilfanale.com](mailto:info@ilfanale.com)