

# IL FANALE

rev. 25-07-2016



## RILEGATO - 508.00.62

The lamps are modern and suitable for any international context. These unique and exclusive products are entirely handmade with beveled glass and international brass bases and are available in chrome, gold, and burnished finishes.

## CHARACTERISTICS

|           |              |
|-----------|--------------|
| TYOPOLOGY | Suspension   |
| CATEGORY  | Indoor lamps |

## FINISHES

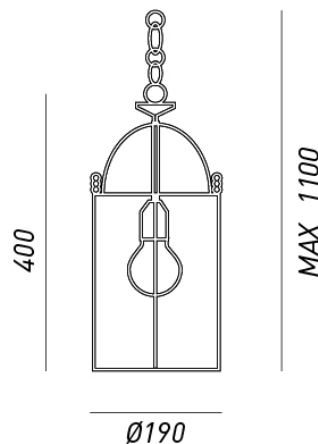
|        |                   |
|--------|-------------------|
| FRAME  | Chrome Brass      |
| SHADE  | Chrome Brass      |
| BASE   | Chrome Brass      |
| OPTICS | Transparent Glass |

## ELETRICAL CHARACTERISTICS

|              |             |
|--------------|-------------|
| SOCKET       | E27         |
| POWER        | 1 x Max 57W |
| ENERGY CLASS |             |
| INPUT        | 240V        |
| POWER SUPPLY | No          |

## CUSTOMIZATIONS

|           |     |
|-----------|-----|
| COLOUR    | Yes |
| STRUCTURE | Yes |



## Il Fanale Group

Via Bredariol Olivo 15, San Biagio Di Callalta - Treviso - Italy

Telefono +39 0422 895200 - fax +39 0422 895110 - [www.ilfanale.com](http://www.ilfanale.com) - [info@ilfanale.com](mailto:info@ilfanale.com)